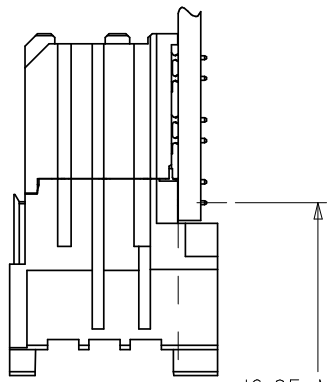
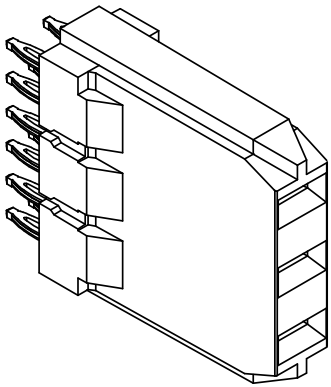
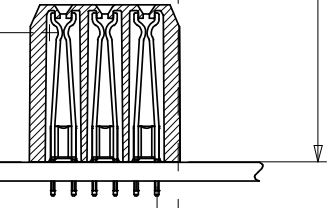


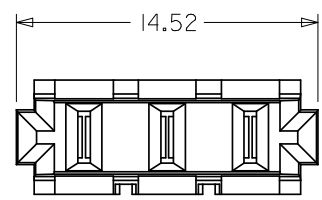
10 9 8 7 6 5 4 3 2



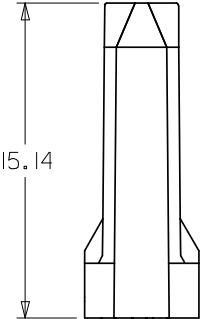
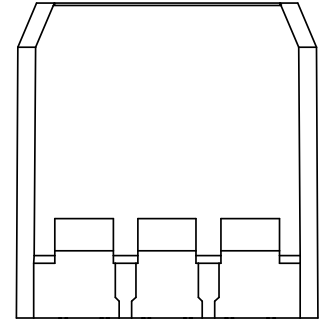
16.85 MATED



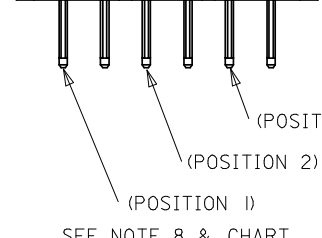
12.44 MAX.  
NOTE 6  
REF.



14.52



15.14



(POSITION 3)

(POSITION 2)

(POSITION 1)

SEE NOTE 8 & CHART

1.14  
2.64  
3.64

SEE NOTE 5

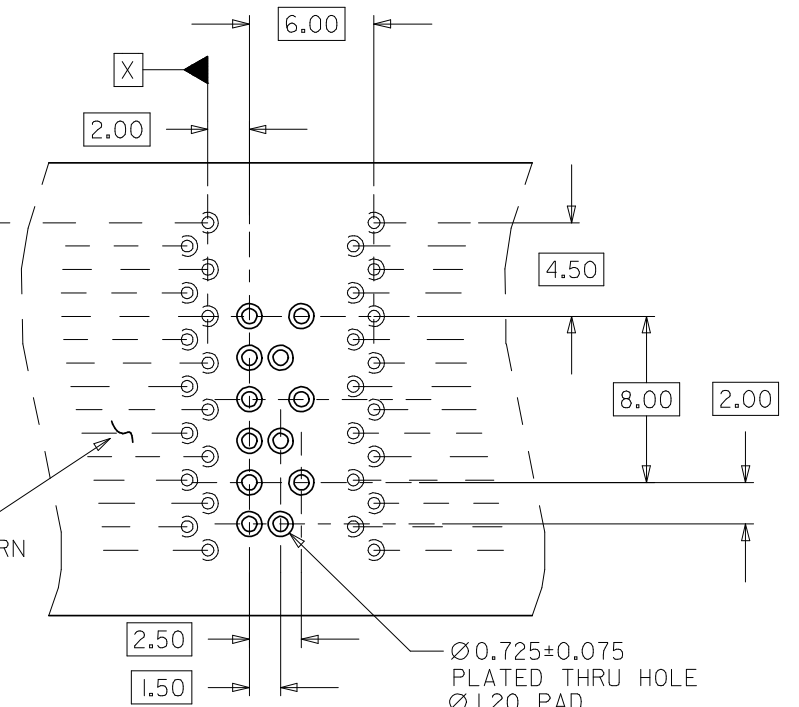
2.05

NOTES:

1. MATERIALS:  
HOUSING - LIQUID CRYSTAL POLYMER (LCP)  
UL94 V-0 RATED, COLOR: BLACK  
TERMINAL - COPPER ALLOY
2. FINISH: 30 MICROINCH MIN GOLD ON MATING SURFACE;  
TIN/LEAD ON TAILS; NICKEL OVERALL.
3. FINISH: 50 MICROINCH MIN GOLD ON MATING SURFACE;  
TIN/LEAD ON TAILS; NICKEL OVERALL.
4. THIS PART CONFORMS TO PRODUCT SPECIFICATION  
PS-74031-999.
5. USE 6.00 mm NOMINAL FOR BACKPLANE LAYOUT.
6. DIMENSION MEASURED FROM BOTTOM OF HOUSING.
7. PACKED PER PK-70873-0876.
8. CONTACT NOT PRESENT AT POSITION ON  
-84\*\* ASSEMBLIES.

SIGNAL  
ROW A  
Y

REFERENCE  
SIGNAL PATTERN

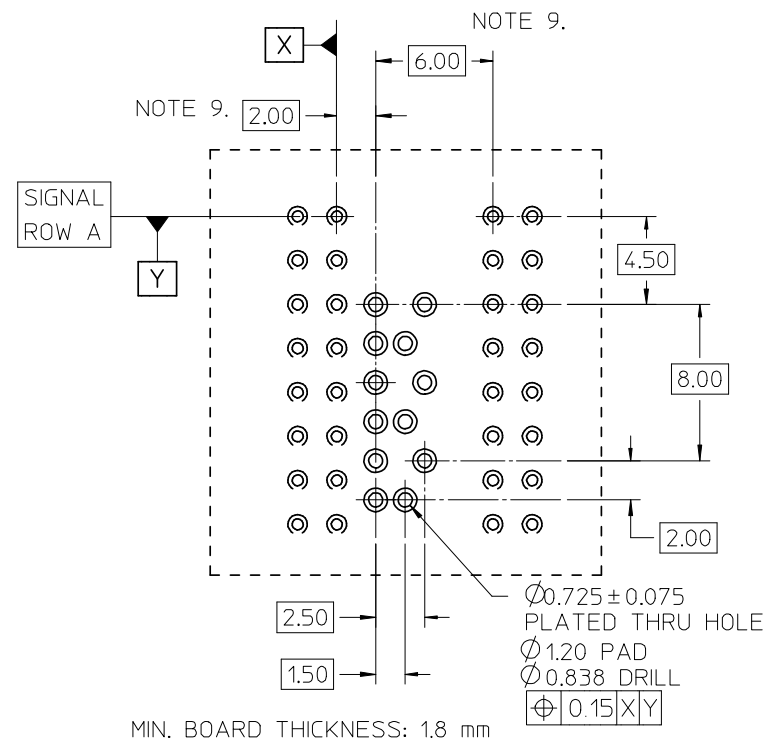
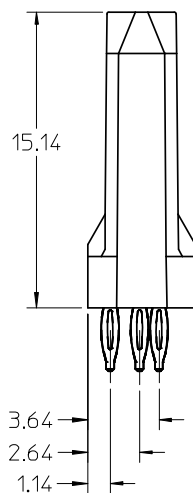
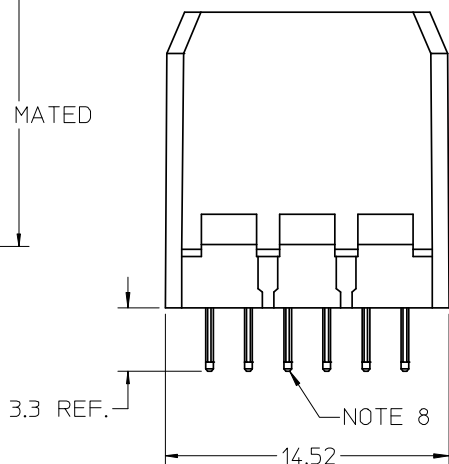
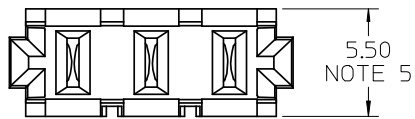
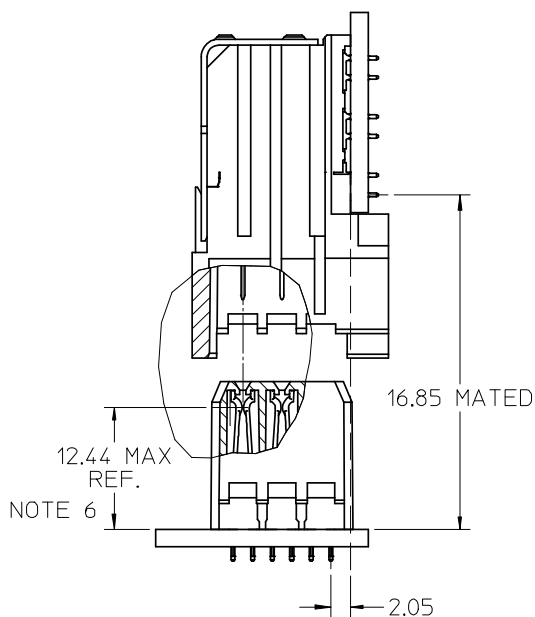


⊕ Ø 0.15 X Y

ASSEMBLY #	CONTACT PLATING	OPEN LOC.	# CONTACTS
74029-8000	SEE NOTE 2	N/A	3
74029-8050	SEE NOTE 3	N/A	
74029-8400	SEE NOTE 2	POS. 2	2
74029-8450	SEE NOTE 3	POS. 2	
74029-8401	SEE NOTE 2	POS. 1	
74029-8451	SEE NOTE 3	POS. 1	
74029-8403	SEE NOTE 2	POS. 3	
74029-8453	SEE NOTE 3	POS. 3	

REDRAWN EC NO: UCP2008-1963 DRWN: BINGHAM 2008/02/18 CHKD: BINGHAM 2008/02/18 APPR: LAURX 2008/02/18 REV	QUALITY SYMBOLS ▽=0 ▽=0	GENERAL TOLERANCES (UNLESS SPECIFIED) mm INCH 4 PLACES ±--- ±--- 3 PLACES ±--- ±--- 2 PLACES ±0.15 ±--- 1 PLACE ±0.25 ±--- ANGULAR ±---°	DIMENSION STYLE MM ONLY DRAWN BY: TELO DATE: 98/10/19 CHECKED BY: DBREARLEY DATE: 98/10/21 APPROVED BY: CBIXLER DATE: 98/10/22	SCALE NONE DESIGN UNITS METRIC THIRD ANGLE PROJECTION	TITLE VHDM POWER 8 ROW BACKPLANE SALES ASSEMBLY	
	DRAFT WHERE APPLICABLE MUST REMAIN WITHIN DIMENSIONS	MATERIAL NO. SEE CHART	DOCUMENT NO. SD-74029-002	SHEET NO. 1 OF 1	MOLEX INCORPORATED	
	THIS DRAWING CONTAINS INFORMATION THAT IS PROPRIETARY TO MOLEX INCORPORATED AND SHOULD NOT BE USED WITHOUT WRITTEN PERMISSION					
	SIZE B					

9 8 7 6 5 4 3 2 1



- NOTES:
- MATERIALS:  
HOUSING - LIQUID CRYSTAL POLYMER (LCP)  
UL94 V-0 RATED, COLOR: BLACK  
TERMINAL - COPPER ALLOY
  - FINISH: 30 microINCH MIN GOLD ON MATING SURFACE;  
TIN/LEAD ON TAILS; NICKEL OVERALL.
  - FINISH: 50 microINCH MIN GOLD ON MATING SURFACE;  
TIN/LEAD ON TAILS; NICKEL OVERALL.
  - THIS PART CONFORMS TO PRODUCT SPECIFICATION  
PS-74031-999.
  - USE 6.00 mm NOMINAL FOR BACKPLANE LAYOUT.
  - DIMENSION MEASURED FROM BOTTOM OF HOUSING.
  - PACKED PER PK-70873-0876.
  - MIDDLE CONTACT NOT PRESENT ON -84\*\* ASSEMBLIES.
  - THIS DIMENSION TO BE MULTIPLE OF 2.00 mm AS REQUIRED.

ASSEMBLY #	CONTACT PLATING	# CONTACTS
74029-8000	SEE NOTE 2	3
74029-8050	SEE NOTE 3	3
74029-8400	SEE NOTE 2	2
74029-8450	SEE NOTE 3	2

REVISED (MINOR) EC NO: UCP2008-1963 DRWN: JINGHAM 2008/02/18 CHKD: 2008/02/18 APPR: LAURX 2008/02/18	QUALITY SYMBOLS	GENERAL TOLERANCES (UNLESS SPECIFIED)	SCALE 4:1	DESIGN UNITS METRIC	THIRD ANGLE PROJECTION	REVISE ON CAD ONLY
	▽ = 0 ∇ = 0	mm	INCH	DIMENSION STYLE MM ONLY		TITLE
		4 PLACES ± --- ± ---	3 PLACES ± --- ± ---	2 PLACES ± 0.15 ± ---	1 PLACE ± 0.25 ± ---	HSD POWER 8 ROW BACKPLANE SALES ASSEMBLY
	A1	ANGULAR ± 5 °	DRAFT WHERE APPLICABLE	DRAWN BY ELO	DATE 2001/10/04	MOLEX INCORPORATED SEE CHART SD-74029-009
MUST REMAIN WITHIN DIMENSIONS		THIS DRAWING CONTAINS INFORMATION THAT IS PROPRIETARY TO MOLEX INCORPORATED AND SHOULD NOT BE USED WITHOUT WRITTEN PERMISSION	CHECKED BY GORSKI	DATE 2001/10/05		
			APPROVED BY BIXLER	DATE 2001/10/08	MATERIAL NO.	DOCUMENT NO.